

GOV-1 Over The Top Soft Close Flipper Door Mechanism

Over-the-top opening

Opening Direction	Description	Door Width	Door Height	Door Thickness	Door Weight
 Over the Top	Soft-close	700~1400	350~450	Min. 20	3~5 kg

Features

- Patented mechanism provides a smooth and quiet motion
- Prevents door from slamming shut
- Adjustable closing speed.

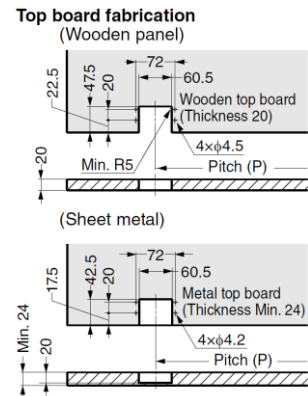
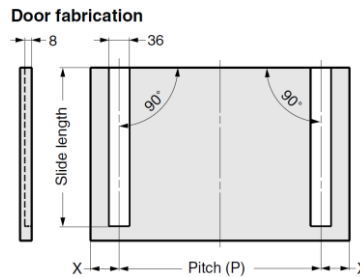
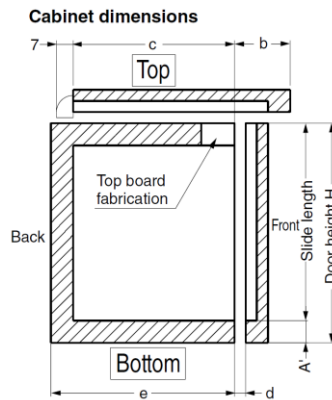
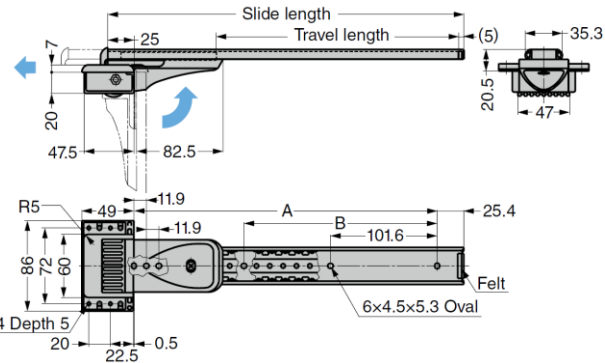
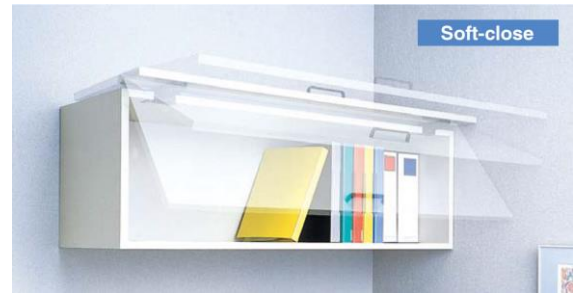
Notes

- 2 pcs of GOV1-MBP-BL-TRN-N2 (main body) and 2 pcs of GOV-SLPRN (rail) required for 1 cabinet

Parts Included

- Installation plate (4 pcs)
- Countersunk head screw M4×26 for wooden door (8 pcs)
- Binding head screw M4×8 for metal door (8 pcs)
- Binding head tapping screw 4×10 for rail installation (12 pcs)

	b	c	d	e
Wooden Top Board	A'+81.4	H-b	2.5	Min. c+7
Metal Top Board	A'+86.4		7.5	
	X			
Inset Application	80			
Overlay Application	Side Board Thickness+80			



Main Body (2 pcs are necessary for 1 cabinet)

Part No.	Material	Colour	Door Width	Door Height	Door Thickness	Door Weight	Torque Moment
GOV1-MBP-BL-TRN-N2	Steel & Plastic	Black	700 ~ 1400	350 ~ 450	Min. 20	3 ~ 5 kg	5.9 ~ 9.8 N.m 60 ~ 100 kgf.cm

Rail (2 pcs are necessary for 1 cabinet)

Part No.	Material	Finish	Slide Length	Travel Length	A	B
GOV-13-SLPRN	Steel	Clear Zinc Chromate	330.2	223.8	279.4	177.8
GOV-14-SLPRN			355.6	249.2	304.8	203.2
GOV-15-SLPRN			381	274.6	330.2	228.6
GOV-16-SLPRN			406.4	300	355.6	254